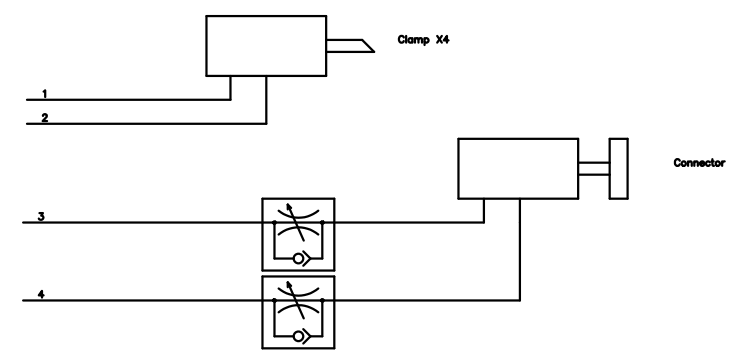


| NAME | DATE | DESCRIPTION |
|------|------|-------------|
|      |      |             |



|             |  |                     |
|-------------|--|---------------------|
|             | AUTHOR   | P. Jones            |
|             | DATE   | 24 October 2008     |
|             | ISSUE NO   | A SHEET NO 11 OF 12 |
|             | COMPANY  | Viteon              |
|             | PROJECT  | C394                |
| Notes:      | 1) All wiring to be 16/0.2 unless stated otherwise<br>2) Mains wiring to be loomed separately<br>3) 240V a.c. line = red, neutral = black, earth = green/yellow<br>4) Wire numbers used on this sheet<br>5) Spare wire numbers on this sheet |                     |
| RIG         | 4 Head Auto Tester   |                     |
| TITLE       | Pneumatics   |                     |
| WORKS ORDER | W/O 606096   |                     |